



Products for 2007

March Performance is pleased to announce several performance bracket and pulley kits for 2007. Precision CNC machined from solid billet 6061-T6 aluminum to fit perfectly and handle high torque and vibration. Bracket kit comes complete with stainless steel tensioning rods and chrome moly rod ends for high performance operation.

"Ultra Front Mount" Chevy Small & Big Blocks:

This ingeniously designed mid mount serpentine kit incorporates a combination bracket that provides a compact and strong mounting for the alternator and air conditioner. The addition of an idler provides excellent belt wrap around the alternator and A/C compressor pulleys for "No Slip" operation. Replaces your low performance V-belts, pulleys and brackets while retaining your standard rotation water pump. Simple to bolt on! Eliminates belt throwing. CNC machined from solid billet 6061-T6 aluminum. This translates into a spectacular looking new machine finish with perfect fit and extra high strength. All our billet pulleys and brackets have a "No Polishing" maintenance-free clear powdercoating. Our kit comes complete with stainless steel tensioning rod, chrome moly rod ends and necessary grade 8 mounting hardware.



Application:

These kits fit most mid and full size cars from the early 1950's and newer. Kit also fits 1969 and later Camaros and Nova's. Other cars check water pump nose to radiator clearance. Long water pumps extend out 8" from the engine block, plus clearance for mechanical or electric fans.

Ultra Kits Includes:

- Alternator/Air Conditioner brackets and idler
- A/C nose cover
- Crank pulley
- Water pump pulley with nose cover
- Alternator pulley with alternator fan and nose cover
- Power steering kit includes power steering brackets and pulley
- Superior grade 8 mounting hardware

Chevy Small Block Serpentine Conversion

Standard Mount Alternator with Mid Mount Passenger Side A/C
Standard Rotation Long Water Pump



Ultra Kit

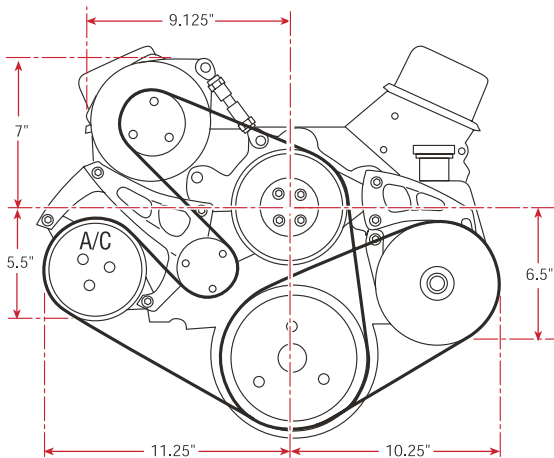
This ingeniously designed mid mount serpentine kit incorporates a combination bracket that provides a compact and strong mounting for the alternator and air conditioner. The addition of an idler provides excellent belt wrap around the alternator and A/C compressor pulleys for "No Slip" operation. Replaces your low performance V-belts, pulleys and brackets while retaining your standard rotation water pump. Simple to bolt on! Eliminates belt throwing. CNC machined from solid billet 6061-T6 aluminum. This translates into a spectacular looking new machine finish with perfect fit and extra high strength. All our billet pulleys and brackets have a "No Polishing" maintenance-free clear powdercoating. Our kit comes complete with stainless steel tensioning rod, chrome moly rod ends and necessary grade 8 mounting hardware.

Application:

These kits fit most mid and full size cars from the early 1950's and newer. Kit also fits 1969 and later Camaros and Nova's. Other cars check water pump nose to radiator clearance. Long water pumps extend out 8" from the engine block, plus clearance for mechanical or electric fans.

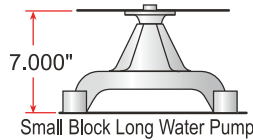
Ultra Kits Includes:

- Alternator/Air Conditioner brackets and idler
- A/C nose cover
- Crank pulley
- Water pump pulley with nose cover
- Alternator pulley with alternator fan and nose cover
- Power steering kit includes power steering brackets and pulley
- Superior grade 8 mounting hardware



SHOWN WITH OPTIONAL FUTURA STYLE AIR CLEANER AND VALVE COVERS

BILLET ALTERNATOR AND POWER STEERING PUMP AVAILABLE



Passenger Side A/C



High Water Flow Kits (Increases Cooling)

Kit #Drives	Alternator	A/C	Water Pump	Saginaw Keyway P/S Pump	Saginaw Press Fit P/S Pump	Saginaw Metric P/S Pump	Alternator Belt Size	P/S Belt Size
22045	YES	YES	YES				62"	
22072	YES	YES	YES	YES			62"	35"
22082	YES	YES	YES		YES		62"	35"
22087	YES	YES	YES			YES	62"	35"
Type of Accessories	GM 6-12 o'clock mounting 6" or 7" diameter alternator	Sanden 7176 or March P411 compressor	Long water pump standard rotation	1966-74 keyway Saginaw pump with canister	1975-78 press fit Saginaw pump with canister	1978-87 press fit Saginaw metric pump	Dayco 6 rib	Dayco 6 rib