

# MARCH



PERFORMANCE PULLEYS & BRACKETS

## Street Rod Serpentine & V-Belt Systems

- CNC Machined from 6061-T6 Aluminum
- No-Polish Clear Coating
- Great Styling
- Performance and High Water Flow Ratios Kits
- Bracket Kits
- Pulleys
- Accessories



5.0



Ram Jet

Chevy Ford Chrysler

# CHEVY SMALL & BIG BLOCK SERPENTINE KITS

**"Front Mount" Compact Design Short Water Pump, Reverse Rotation**

This new system has been designed for mounting accessories below the valve covers and in between the width of the heads. Precision CNC machined from 6061-T6 aluminum for strength and perfect fit. Hardcoated on high wear areas. Clear coated to eliminate polishing in those hard to reach places.

**Application:** Kit is designed to fit Ram Jet, Tuneports, Single and multi carb engines

**Kit 1. Ultra:** As pictured

**Includes:**

- Polished Sanden A/C compressor
- Polished March Alternator
- Aluminum reverse rotation water pump
- Type 2 power steering pump
- OEM tensioner
- A/C bracket & nose cover
- Alternator bracket
- P/S bracket and housing cover
- Crank pulley
- Water pump pulley with fairing and nose cover
- Alternator pulley with machined fan and nose cover
- Wing Cross emblem
- polished A/C Lines

**Kit 2. Deluxe:** Ideal for cars with minimal engine to radiator clearance, see dimensional diagrams.

**Includes:** All above mentioned parts, minus -

- A/C nose cover
- Alternator pulley nose cover
- Water pump pulley nose cover
- Tensioner pulley nose cover

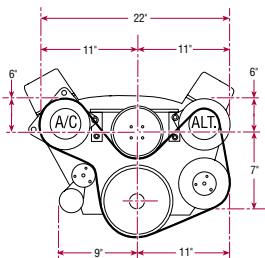
**Kit 3. Custom:** A low cost system that gives up nothing in performance. Uses non-polished A/C compressor, Water pump and alternator with standard steel alt fan.

**Includes:** All above Deluxe Kit parts, minus -

- All nose covers
- Power steering housing cover
- Tensioner housing cover
- Wing emblem

**Upgrades for Deluxe or Custom Kits:**

Small Block	Big Block	
• #394	.....#394	A/C nose cover
• #221	.....#221	Alternator fan
• #307	.....#307	Alternator cover
• #331	.....#332	Water pump nose cover
• #20257-B	.....#20357-B	Power steering housing cover
• #780	.....#785	Tensioner pulley nose cover
• #20256-B	.....#20356-B	Tensioner housing cover
• NA	.....#20356-C	Tensioner housing front cover
• #20255	.....#20355	Wing emblem



Passenger Side

Drivers Side

### Forward Dimensions

Balancer Face to Front of:	Small Block	Big Block
Crank pulley	3.200"	3.500"
Water pump pulley	3.100"	3.700"
Water pump w/nose cover	4.300"	4.400"
A/C unit	4.000"	4.000"
A/C w/nose cover	4.500"	4.750"
ALT pulley	3.250"	3.550"
ALT w/nose cover	4.000"	4.100"
Power Steering	3.750"	3.750"

### High Water Flow A/C Kits (Increases Cooling)

Kit Type	Small Block Kit # Drives	Big Block Kit # Drives	Alternator	A/C	Power Steering	Small Block Suggested retail price	Big Block Suggested retail price
Ultra	20250	20350	X	X		\$1,889.00	\$2,064.00
Ultra	20260	20360	X	X	X	\$2,149.00	\$2,324.00
Deluxe	20270	20370	X	X		\$1,695.23	\$1,860.23
Deluxe	20280	20380	X	X	X	\$1,945.57	\$2,120.57
Custom	20275	20375	X	X		\$1,481.80	\$1,656.80
Custom	20285	20385	X	X	X	\$1,742.18	\$1,917.14

# ADJUSTABLE HEIGHT ULTRA HIGH MOUNT KIT

## Chevy Small Block, Ram Jet, Tuneports, and Multi-Carb Systems



### Application:

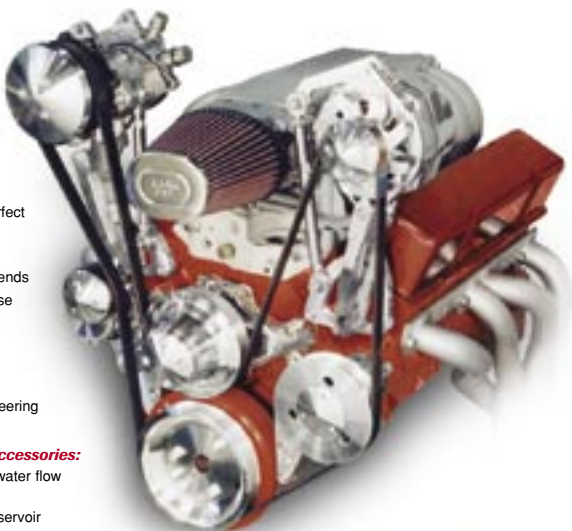
1955 and earlier cars. All full size trucks requiring 13.75" from water pump centerline to hood.

### Kit Includes:

- Alternator and A/C brackets with Perfect Positioning™ bushing
- OEM Style Tensioner
- Tensioning rods and adjustable rod ends
- Crank pulley, water pump pulley, nose cover, alternator pulley with fan and nose cover
- A/C cover
- Mounting hardware
- Power steering kit includes power steering bracket and pulley

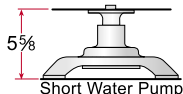
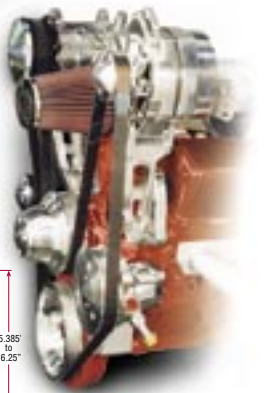
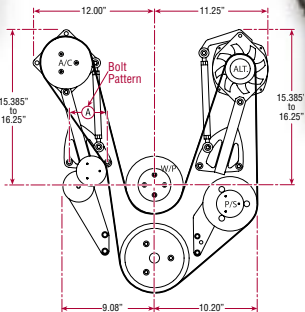
### Optional Matching Billet Aluminum Accessories:

- #400 crank pulley nose cover (high water flow kits only)
- #450 billet remote power steering reservoir canister



OEM Style Tensioner

Tensioner delete, minus \$170.00 ..... CALL



### Check Bolt Pattern **A**

#### Kits for Engines with L98 and ZZ4 Aluminum Heads

Check Bolt Pattern	Kit # Drives	Alternator	A/C	Water Pump	Saginaw Keyway P/S Pump	Saginaw Press Fit P/S Pump	Remote Reservoir P/S	Belt Size	Suggested retail price
<b>A</b> A=3 9/32	20875	X	X	X				95"	\$783.49
	20876	X	X	X	X			98.5"	\$906.10
	20877	X	X	X		X		98.5"	\$906.10
	20878	X	X	X			X	98.5"	\$961.87

#### Kits for Engines with 1969-Later Cast Iron Heads & Aftermarket Aluminum Heads

Check Bolt Pattern	Kit # Drives	Alternator	A/C	Water Pump	Saginaw Keyway P/S Pump	Saginaw Press Fit P/S Pump	Remote Reservoir P/S	Belt Size	Suggested retail price
<b>A</b> A=4 7/16	20880	X	X	X				95"	\$783.49
	20881	X	X	X	X			98.5"	\$906.10
	20882	X	X	X		X		98.5"	\$906.10
	20883	X	X	X			X	98.5"	\$961.87
	Type of Accessories	GM 6-12 o'clock mounting 6" or 7" diameter alternator	Sanden 505 or 508 serpentine A/C	1984-91 Corvette reverse rotation water pump	1966-76 keyway Saginaw pump with canister	1970-78 press fit Saginaw pump with canister	1987 6 cyl. Sunbird small remote reservoir pump	Dayco 6 rib	

# DELUXE HIGH MOUNT SERPENTINE DRIVE

## Chevy Small Block with Tune Port & Multi-Carburetor

Precision CNC machined from solid billet 6061-T6 aluminum to fit perfectly and handle high torque and vibration. Bracket kit comes complete with stainless steel tensioning rods chrome moly rod ends for high performance operation. All necessary hardware included. Powdercoated to eliminate polishing in those hard to reach places. Matching serpentine pulleys are precision CNC machined from 6061-T6 aluminum. This is the same material we use for NASCAR pulleys! These pulleys will not fracture like common cast pulleys! High tensile strength means much longer wear. We go as far as hard coating the high wear areas on our high water flow ratio pulleys! Our high water flow ratio increases water flow and fan speed. This helps at critical low speed driving. All pulleys have a maintenance-free clear powdercoat.

### Application:

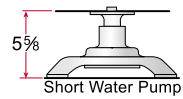
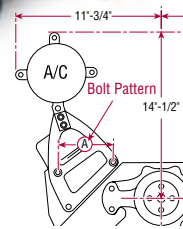
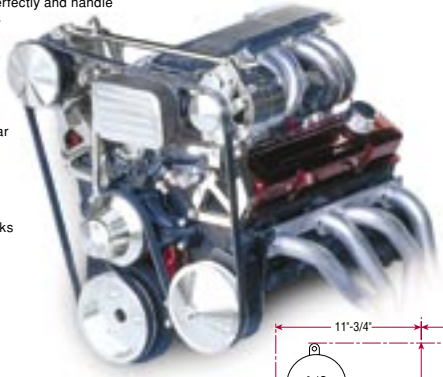
This kit is designed to fit 1955 and earlier cars. All full size trucks require 15" from center of water pump shaft to hood.

### Kit Includes:

- High mount A/C and alternator brackets
- Tensioning rods and hardware
- Crankshaft pulley, water pump pulley and nose cover
- Alternator pulley with fan and nose cover
- A/C nose cover
- Power steering kits include bracket and pulley

### Optional Matching Billet Accessories:

- #400 crankshaft pulley cover
- #450 Billet remote power steering reservoir canister



### Check Bolt Pattern (A)

#### Kits for Engines with L98 & Z24 Aluminum Heads

Check Bolt Pattern	Kit # Drives	Alternator	A/C	Water Pump	Saginaw Keyway P/S Pump	Saginaw Press Fit P/S Pump	Remote Reservoir P/S	Belt Size	Suggested retail price
(A)	20810	X	X	X				78.5"	\$493.49
	20811	X	X	X	X			100"	\$616.10
	20812	X	X	X		X		100"	\$616.10
	20813	X	X	X			X	93"	\$671.87

#### Kits for Engines with 1969-Later Cast Iron Heads & Aftermarket Aluminum Heads

Check Bolt Pattern	Kit # Drives	Alternator	A/C	Water Pump	Saginaw Keyway P/S Pump	Saginaw Press Fit P/S Pump	Remote Reservoir P/S	Belt Size	Suggested retail price
(A)	20815	X	X	X				78.5"	\$493.49
	20816	X	X	X	X			100"	\$616.10
	20817	X	X	X		X		100"	\$616.10
	20818	X	X	X			X	93"	\$671.87
	Type of Accessories	GM 6-12 o'clock mounting 6" or 7" diameter alternator	Sanden 505 or 508 serpentine A/C	1984-91 Corvette reverse rotation water pump	1066-76 keyway Saginaw pump with canister	1970-78 press fit Saginaw pump with canister	1987 6 cyl. Sunbird small remote reservoir pump	Dayco 6 rib	

### High Mount with Low Routed belt for Super Chargers & Ram Jet,

### Application:

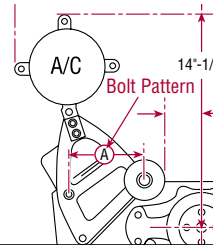
This kit is designed to fit 1955 and earlier cars. All full size trucks require 15" from center of water pump shaft to hood. Includes Idler kits to relocate belts

### Kit Includes:

- High mount A/C and alternator brackets
- Tensioning rods and hardware
- Crankshaft pulley, water pump pulley and nose cover
- Alternator pulley with fan and nose cover
- A/C nose cover
- Power steering kits include bracket and pulley

### Optional Matching Billet Accessories:

- #400 crankshaft pulley cover
- #450 Billet remote power steering reservoir canister



#### Kits for Engines with 1969-Later Cast Iron Heads & Aftermarket Aluminum Heads

Check Bolt Pattern	Kit # Drives	Alternator	A/C	Water Pump	Saginaw Keyway P/S Pump	Saginaw Press Fit P/S Pump	Remote Reservoir P/S	Belt Size	Suggested retail price
(A)	20832	X	X	X				104.5"	\$811.49
	20833	X	X	X			X	111.5"	\$989.87
	Ram Jet 20820	X	X	X				90.5"	\$493.87
	Ram Jet 20825	X	X	X			X	94"	\$671.87

#### Kits for Engines with L98 & Z24 Aluminum Heads

Check Bolt Pattern	Kit # Drives	Alternator	A/C	Water Pump	Saginaw Keyway P/S Pump	Saginaw Press Fit P/S Pump	Remote Reservoir P/S	Belt Size	Suggested retail price
(A)	20830	X	X	X				104.5"	\$811.49
	20831	X	X	X			X	111.5"	\$989.87
	Type of Accessories	GM 6-12 o'clock mounting 6" or 7" diameter alternator	Sanden 505 or 508 serpentine A/C	1984-91 Corvette reverse rotation water pump	1066-76 keyway Saginaw pump with canister	1970-78 press fit Saginaw pump with canister	1987 6 cyl. Sunbird small remote reservoir pump	Dayco 6 rib	

# CHEVY SMALL BLOCK SERPENTINE KITS

## "Inward Mount" A/C & Alternator For Single Carbureted Engines

### Short Water Pump / Standard & Reverse Rotation

Precision CNC machined from solid billet 6061-T6 aluminum to fit perfectly and handle high torque and vibration. This bracket kit comes complete with stainless steel tensioning rods and chrome moly rod ends for high performance operation. All necessary hardware included. Powdercoated to eliminate polishing in those hard to reach places. Matching serpentine pulleys are precision CNC machined from 6061-T6 aluminum. This is the same material we use for NASCAR pulleys! These pulleys will not fracture like common cast pulleys! High tensile strength means much longer wear. We go as far as hard coating the high wear areas to 65 Rockwell (harder than steel). Our street rod ratio increases water flow and fan speed. This helps at critical low speed driving. All pulleys have a maintenance-free clear powdercoat.

#### Application:

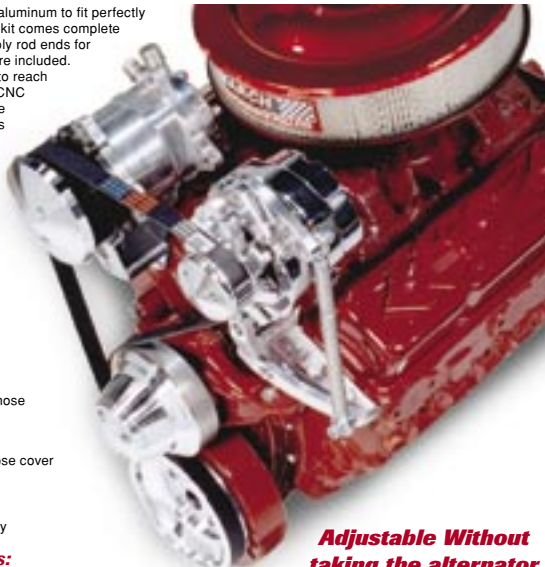
Fits most cars. Requires 13" clearance from center of water pump shaft to hood. Works best with 1969 or later heads, 1969 - 1984 heads require taping one hole in passenger side head, later heads simply bolt on.

#### Kit Includes:

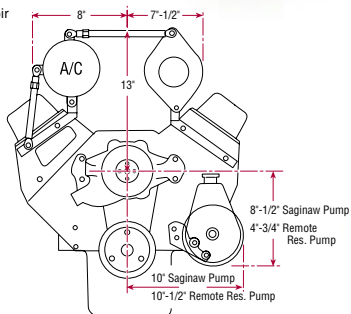
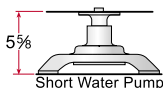
- Alternator bracket
- A/C kit includes A/C bracket, hardware and nose cover
- Tensioning rods and adjustable rod ends
- Crankshaft pulley, water pump, pulley and nose cover
- Alternator pulley with fan and nose cover
- Mounting hardware
- Power steering kits include bracket and pulley

#### Optional Matching Billet Accessories:

- #400 crank pulley cover
- #450 billet remote power steering reservoir
- #20723 Idler Kit (prevents slippage when mechanical fan is used with std. rotation water pump) non A/C applications Changes belt size see instructions.



**Adjustable Without taking the alternator or A/C off!**



### Performance Serpentine Kits (Increases Horsepower - Not Recommended for Hot Running Cars)

Kit #	Drives	Alternator	A/C	Water Pump	Saginaw Keyway P/S Pump	Saginaw Press Fit P/S Pump	Remote Reservoir P/S	Belt Size	Suggested retail price
20725		X		X std.				47"	\$430.41
20726		X		X std.	X			53"	\$546.80
20727		X		X std.		X		53"	\$546.80
20728		X		X std.			X	51"	\$608.60

### High Water Flow Kits (Improves Cooling)

20729		X		X std.				48.5"	\$436.59
20730		X		X std.	X			53.5"	\$577.70
20731		X		X std.		X		53.5"	\$577.70
20732		X		X std.			X	53.5"	\$639.50
20733		X	X	X rev.	X			66"	\$645.55
20734		X	X	X rev.		X		90.5"	\$761.94
20735		X	X	X rev.			X	90.5"	\$761.94
20736		X	X	X rev.				86"	\$823.74

### Inboard passenger Side Alternator Kit

20743	Perf. Kit	X		X std.				47.5"	\$460.41
20744	Cool. Kit	X		X std.				49"	\$466.59
20745	Cool. Kit	X		X rev.	X			66"	\$613.70
20746	Cool. Kit	X		X rev.		X		66"	\$613.70
20747	Cool. Kit	X		X rev.			X	66"	\$653.90

Type of Accessories	GM 6-12 o'clock mounting 6" or 7" diameter alternator	Sanden 505 or 508 serpentine A/C	1984 Corvette reverse rotation water pump	1966-76 keyway Saginaw pump with canister	1966-76 press fit Saginaw pump with canister	1987 Pontiac Sunbird small remote reservoir	Dayco 6 rib
---------------------	---	----------------------------------	---	---	--	---	-------------

# CHEVY SMALL BLOCK SERPENTINE DRIVE

*"Inward Mount" For Single Carbureted Engines  
Short Water Pump / Standard & Reverse Rotation*



## Lower Cost Deluxe Kits

Precision CNC machined from solid billet 6061-T6 aluminum to fit perfectly and handle high torque and vibration. This bracket kit comes complete with stainless steel tensioning rods and chrome moly rod ends for high performance operation. All necessary hardware included. Powdercoated to eliminate polishing in those hard to reach places. Matching serpentine pulleys are precision CNC machined from 6061-T6 aluminum. This is the same material we use for NASCAR pulleys! These pulleys will not fracture like common cast pulleys! High tensile strength means much longer wear. We go as far as hard coating the high wear areas to 65 Rockwell (harder than steel). Our street rod ratio increases water flow and fan speed. This helps at critical low speed driving. All pulleys have a maintenance-free clear powdercoat.

### Application:

Fits most cars. Requires 13" clearance from center of water pump shaft to hood. Works best with 1969 or later heads.

### Kit Includes:

- Alternator bracket
- A/C kit includes A/C bracket, hardware and nose cover
- Tensioning rods and adjustable rod ends
- Crankshaft pulley, water pump, pulley and nose cover
- Alternator pulley with fan and nose cover
- Mounting hardware
- Power steering kits include bracket and pulley

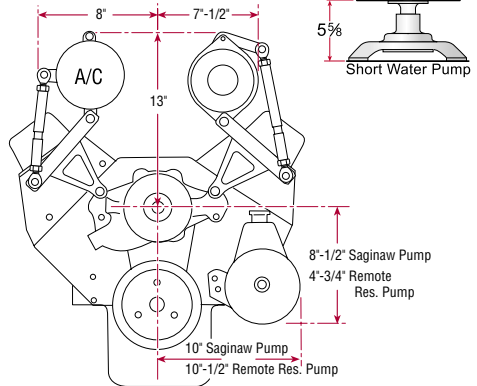
### Optional Matching Billet Accessories:

- #400 crank pulley cover
- #450 billet remote power steering reservoir



### Shown with optional:

395...A/C cover	\$44.53
221...Alt fan	\$43.23
321...Water pump nose cover	\$24.88
400...crank pulley	\$63.65



### High Water Flow Kits (Improves Cooling)

Kit # Drives	Alternator	A/C	Water Pump	Saginaw Keyway P/S Pump	Saginaw Press Fit P/S Pump	Remote Reservoir Power Steering	Belt Size	Suggested retail price
21010	X		X std.				48.5"	\$330.96
21011	X		X std.	X			53.8"	\$447.99
21012	X		X std.		X		53.8"	\$447.99
21013	X		X std.			X	53.8"	\$487.51
21014	X	X	X rev.				66"	\$457.24
21015	X	X	X rev.	X			90.5"	\$574.27
21016	X	X	X rev.		X		90.5"	\$574.27
21017	X	X	X rev.			X	86"	\$614.09
Type of Accessories	GM 6-12 o'clock mounting 6" or 7" diameter alternator	Sanden 505 or 508 serpentine A/C	1984-91Corvette reverse rotation water pump	1966-76 keyway Saginaw pump with canister	1966-76 press fit Saginaw pump with canister	1987 Sunbird small remote reservoir pump	Dayco 6 rib	

See web site for more information

# CHEVY SMALL & BIG BLOCK SERPENTINE CONVERSION

## Single Carbureted High Mount Alternator, A/C and Power Steering

This system simply mounts to the front of your water pump and manifold. Precision CNC machined from solid billet 6061-T6 aluminum to fit perfectly and handle high torque and vibration. This bracket kit comes complete with stainless steel tensioning rods and chrome moly rod ends for high performance operation. All necessary hardware included. Powdercoated to eliminate polishing in those hard to reach places. Matching serpentine pulleys are precision CNC machined from 6061-T6 aluminum. These pulleys will not fracture like common cast pulleys. High tensile strength means much longer wear. We go as far as hard coating the high wear areas on our pulleys! Our street rod ratio increase water flow and fan speed. This helps at critical low speed driving. All pulleys have a maintenance-free clear powdercoat.

### Application:

This kit fits 1957 and earlier cars and full size truck. Later cars 1957 and newer check for hood clearance, 14.5" minimum from center of water pump shaft to hood. Ideal for 265-283-327 C.I. engines that do not have bolt holes in heads. Vortec engines use 21010 series kits.

### Kit Includes:

- Alternator and A/C brackets
- Tensioning rods and adjustable rod ends
- Crank pulley, water pump pulley
- Alternator pulley with fan and nose cover
- Mounting hardware
- Power steering kit includes bracket and pulley

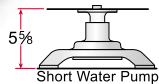
**New!**  
**Lower Price**

### Optional Matching Billet Accessories:

- #400 crank pulley cover nose cover
- #450 billet remote power steering reservoir

### Shown with optional:

- 395 ... A/C cover ..... \$44.95
- 221 ... Alt Fan ..... \$43.23
- 321 ... Water pump nose cover ..... \$24.88
- 400 ... Crank pulley cover ..... \$63.05



### Small Block Single Carbureted High Mount

Kit # Drives	Alternator	A/C	Water Pump	Saginaw Keyway P/S Pump	Saginaw Press Fit P/S Pump	Remote reservoir P/S pump	Alternator Belt Size	Suggested retail price
20705	X	X	X				41"	\$367.29
20706	X	X	X	X			41"	\$484.32
20707	X	X	X		X		41"	\$484.32
20708	X	X	X			X	41"	\$524.20
Type of Accessories	GM 6-12 o'clock mounting 6" or 7" diameter alternator	Sanden 505 or 508 serpentine A/C	1984-91 Corvette reverse rotation water pump	1966-76 keyway Saginaw pump with canister	1970-78 press fit Saginaw pump with canister	1987 Sunbird small remote reservoir pump	Dayco 6 rib	

### Application:

This kit fits 1957 and earlier cars and full size truck. Later cars 1957 and newer check for hood clearance, 14.5" minimum from center of water pump shaft to hood.

### Kit Includes:

- Alternator and A/C brackets
- Tensioning rods and adjustable rod ends
- Crank pulley, water pump pulley with nose cover
- Alternator pulley with fan and nose cover
- A/C Cover
- Mounting hardware
- Power steering kit includes bracket and pulley

### Optional Matching Billet Accessories:

- #400 crank pulley cover nose cover
- #450 billet remote power steering reservoir

**New!**  
**Lower Price**

### Big Block Single Carbureted High Mount

Kit # Drives	Alternator	A/C	Water Pump	Saginaw Keyway P/S Pump	Saginaw Press Fit P/S Pump	Remote reservoir P/S pump	Alternator Belt Size	Suggested retail price
20760	X	X	X				41"	\$489.90
20761	X	X	X	X			41"	\$606.94
20762	X	X	X		X		41"	\$606.94
20763	X	X	X			X	41"	\$686.29
Type of Accessories	GM 6-12 o'clock mounting 6" or 7" diameter alternator	Sanden 505 or 508 serpentine A/C	Reverse rotation short water pump	1966-76 keyway Saginaw pump with canister	1970-78 press fit Saginaw pump with canister	1987 Sunbird small remote reservoir pump	Dayco 6 rib	

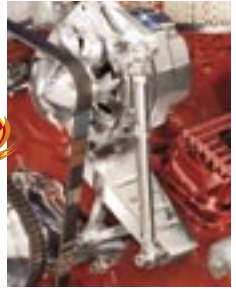
## CHEVY SMALL & BIG BLOCK BRACKETS

### “Inward Mount”

#### CUSTOM ALTERNATOR BRACKET

Alternator bracket fits serpentine and V-belt applications. This design will adjust to compensate for V-belt water pump flange misalignment. Comes complete with tensioning rod and mounting hardware. Powder coated to eliminate polishing.

Part# 21001.....**Small Block** Fits short water pump Chevys.....\$119.95



### “Inward Mount”

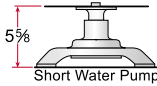
#### CUSTOM A/C BRACKET

A/C bracket fits serpentine and V-belt applications. Comes complete with tensioning rod and mounting hardware. Powder coated to eliminate polishing.

Part# 21002.....**Small Block** Fits short water pump Chevys.....\$119.95

#### Application:

Fits most cars. Requires 13" clearance from center of water pump shaft to hood. Works best with 1969 or later heads.



### “High Mount”

#### ALTERNATOR A/C BRACKET

#### Application:

This kit fits 1957 and earlier cars and full size truck. Later cars 1957 and newer check for hood clearance, 14.5" minimum from center of water pump shaft to hood. Ideal for 265-283-327 C.I. engines that do not have bolt holes in heads. Vortec engines use 21001 + 21002 (above)

Part#20700 ..... **Small Block** long water pump engine. Clear powder coated.....\$149.95



### “Inward Mount” SHORT WATER PUMP ALTERNATOR BRACKET

Alternator bracket fits serpentine and V-belt applications. This design will adjust to compensate for V-belt water pump flange misalignment. Comes complete with tensioning rod and mounting hardware. Powder coated to eliminate polishing.

Part# 20721.....**Small Block** Fits short water pump Chevys .....\$164.67

Part# 20601.....**Big Block** Fits short water pump Chevys .....\$164.67



### “Inward Mount”

#### A/C BRACKET

A/C bracket fits serpentine and V-belt applications. Comes complete with tensioning rod and mounting hardware. Powder coated to eliminate polishing.

Part# 20722.....**Small Block** Fits short water pump Chevys .....\$169.95

Part# 20602.....**Big Block** Fits short water pump Chevys .....\$169.95

#### Application:

Ideal for narrow tall hooded cars, requires 13" above center of water pump, will fit some later cars. Check hood clearance,

### “Non-Ribbed” SERPENTINE PULLEY SET

Non-ribbed serpentine pulleys for A/C applications. Hardcoated

#6275..... **Small Block** pulleys set .... \$217.34



# CHEVY SMALL & BIG BLOCK BRACKETS

*Chevy Long Water Pump Serpentine or v-belt*

## “High Performance” ALTERNATOR BRACKETS



Part# 20120 Ultra

Our new Performance Series 6061-T6 Powdercoated billet aluminum brackets are precision CNC machined for perfect fit and alignment. To maintain perfect tension we supply you with high strength stainless steel tensioning rods and chrome moly rod ends.

Part# 20120 Ultra ..... **Small Block** long water pump engine. Clear powder coated \$77.97

Part# 20121 Deluxe ..... **Small Block** Clear powdercoated. **NEW LOWER PRICE** \$59.95

Part# 20123 Custom..... **Small Block** Gray Hard Coated. **LOWER PRICE** \$49.95

Part# 20125..... **Big Block** long water pump engine. Fits 3/8 and 7/16 tapped holes in passenger side cylinder head. \$94.11

### Optional

Part# 20122 ..... Rear support bracket or mounting #20120 bracket kit to heads that do not have threaded mounting holes on face of heads. ....\$32.41

**Lower Price**



Part# 20121 Deluxe

## “Front Mounted” POWER STEERING BRACKETS



Part# 20160 Ultra

Fits Chevy Small and Big Block Long Water Pump Engines March Performance's New front mount power steering bracket eliminates the need or the search for all the wrap-around and header mounting brackets required for belt tensioning. For early 1966 - 1976 Saginaw power steering pumps.

#20160 Ultra ..... **Small Block** Upper and Lower Bracket Kit 1966-1976 Saginaw pumps \$108.16

#20161 Deluxe..... **Small Block NEW LOWER PRICE** \$90.14

#20165..... **Small Block** 1978 and newer with metric threads with O-rings and NO 6'oclock rear threaded hole, upper and lower bracket kit. \$108.16

**NOTE: Must use 1 groove v-belt or serpentine pulley only**

20150 ..... **Big Block** Long water pump engines. Kit includes upper and lower brackets. Fits 1966-1978 Saginaw power steering pumps. \$108.16

**NOTE: Must use 1 groove v-belt or serpentine pulley only**



Part# 20161 Deluxe

**Lower Price**

## “Adjustable” POWER STEERING BRACKETS

### V-Belt or Serpentine, Short or Long Water Pump

Our new Adjustable Power Steering Bracket for remote reservoir pumps are Powdercoated billet aluminum and precision CNC machined for perfect fit and alignment. We supply you with high strength stainless steel tensioning rods, and chrome moly rod ends.

#20118..... **Small Block** Adjustable Power Steering Bracket Kit.... \$99.95

#526..... Long water pump V-belt pulley.... \$63.83

#527..... Short water pump V-belt pulley.... \$63.83

#619..... long or short water pump 6 rib serpentine pulley with nose cover.... \$70.34

#20112..... **Small Block** Adjustable Saginaw Power Steering Bracket Kit.... \$99.95

#523..... 1 Groove (keyway).... \$63.83

#515..... 1 Groove (press-fit).... \$63.83

(fits with 6031, 6131 2 groove crank pulley)



## “Low Mount” SHORT WATER PUMP ALTERNATOR BRACKET



### V-Belt or Serpentine

Our new Performance Series 6061-T6 Powdercoated billet aluminum brackets are precision CNC machined for perfect fit and alignment. To get belt tension perfect we supply you with high strength stainless steel tensioning rods, chrome moly rod ends and an alternator bracket.

Part# 20215 Fits short water pump small block Chevys \$137.87

Center of crank to outside of alternator 12.5"

# CHEVY SERPENTINE CONVERSION KITS

Chevy Small & Big Block / Long Water Pump



## Ultra Kits

Our performance serpentine kits replace your low performance V-belts, pulleys and brackets while retaining your standard rotation water pump. Simple to bolt on! Eliminates belt throwing. Kits are available with performance pulleys for increase horsepower or high water flow ratios for increased cooling. CNC machined from solid billet 6061-T6 aluminum. This translates into a spectacular looking new machine finish with perfect fit and extra high strength. All our billet pulleys and brackets have a "No Polishing" maintenance-free clear powdercoating. Our kit comes complete with stainless steel tensioning rod, chrome moly rod ends and necessary mounting hardware. Performance pulleys increase horsepower by approximately 12 h.p. depending on accessories driven.

### Application:

These kits fit most mid and full size cars from the early 1950's and newer. Kit also fits 1969 and later Camaros and Novas\*. Other cars check water pump nose to radiator clearance. Long water pumps extend out 8" from the engine block, plus clearance for mechanical or electric fans.

### Kit Includes:

- Crank pulley
- Water pump pulley with nose cover
- Alternator pulley with alternator fan and nose cover
- Power steering kit includes power steering brackets and pulley
- Air conditioning kit includes A/C bracket, idler and A/C nose cover

**Low Cost Deluxe Kit Available , See Our Web Site**

**Small Block Kit with A/C**

**Big Block Kit**

### Small Block Kits

Performance Kits (Increases Horsepower)										
Kit # Drives	Alternator	A/C	Water Pump	Saginaw Keyway P/S Pump	Saginaw Press Fit P/S Pump	Saginaw Metric P/S Pump	Alternator Belt Size	P/S 5 Rib Belt Size	Suggested retail price	
22010	X		X				41"		\$347.92	
22020	X		X	X			41"	33.5"	\$524.90	
22030	X		X		X		41"	33.5"	\$524.90	
22035	X		X			X	41"	33.5"	\$524.90	
Type of Accessories	GM 6-12 o'clock mounting 7" diameter alternator	Sanden 505 or 508 serpentine A/C	Long water pump standard rotation	1966-76 keyway Saginaw pump with canister	1966-76 press fit Saginaw pump with canister	1978-87 press fit Saginaw metric pump	Dayco 6 rib	Dayco 5 rib		

High Water Flow Kits (Increases Cooling)										
Kit # Drives	Alternator	A/C	Water Pump	Saginaw Keyway P/S Pump	Saginaw Press Fit P/S Pump	Remote Reservoir P/S	Alternator Belt Size	P/S Belt Size	P/S & A/C Belt Size	Suggested retail price
22040	X		X				42.5"			\$361.57
22050	X		X	X			42.5"	35"		\$524.90
22060	X		X		X		42.5"	35"		\$524.90
22065	X		X			X	42.5"	35"		\$524.90
22070	X	X	X	X			42.5"		56"	\$818.85
22080	X	X	X		X		42.5"		56"	\$818.85
22085	X	X	X			X	42.5"		56"	\$818.85
Type of Accessories	GM 6-12 o'clock mounting 6" or 7" diameter alternator	Sanden 505 or 508 serpentine A/C	Long water pump standard rotation	1966-76 keyway Saginaw pump with canister	1970-78 press fit Saginaw pump with canister	1978-87 press fit Saginaw metric pump	Dayco 6 rib	Dayco 6 rib	Dayco 6 rib	

### Big Block Kits

Performance Kits (Increases Horsepower)										
Kit # Drives	Alternator	A/C	Water Pump	Saginaw Keyway P/S Pump	Saginaw Press Fit P/S Pump	Remote Reservoir P/S	Alternator Belt Size	P/S Belt Size	Suggested retail price	
23010	X		X				42.5"		\$376.53	
23020	X		X	X			42.5"	38"	\$542.69	
23025*	X		X			X	42.5"	39"	\$542.69	
23030	X		X		X		42.5"	38"	\$542.69	
Type of Accessories	GM 6-12 o'clock mounting 6" or 7" diameter alternator	Sanden 505 or 508 serpentine A/C	Long water pump standard rotation	1966-76 keyway Saginaw pump with canister	1966-76 press fit Saginaw pump with canister	1987 Sunbird P/S pump	Dayco 6 rib	Dayco 5 rib		

High Water Flow Kits (Increases Cooling)										
Kit # Drives	Alternator	A/C	Water Pump	Saginaw Keyway P/S Pump	Saginaw Press Fit P/S Pump	Remote Reservoir P/S	Alternator Belt Size	P/S Belt Size	P/S & A/C Belt Size	Suggested retail price
23040	X		X				44.5"			\$376.89
23050	X		X	X			44.5"	39"		\$542.69
23055*	X		X			X	44.5"	40"		\$539.21
23060	X		X		X		44.5"	39"		\$542.69
23070	X	X	X	X			47"		59.5"	\$870.20
23080	X	X	X		X		47"		59.5"	\$870.20
23090*	X	X	X			X	47"		61"	\$866.72
Type of Accessories	GM 6-12 o'clock mounting 6" or 7" diameter alternator	Sanden 505 or 508 serpentine A/C	Long water pump standard rotation	1966-76 keyway Saginaw pump with canister	1966-76 press fit Saginaw pump with canister	1987 Sunbird P/S pump	Dayco 6 rib	Dayco 6 rib	Dayco 6 rib	

\* 70 and newer Camaros, 78-87 Monte Carlos

## CHEVY SMALL BLOCK PULLEY SETS

**Performance Ratios:** Increases horsepower by reducing accessory drag. 12-15 h.p. at rear wheels typical. Eliminates belt throwing. Designed for daily street driving. Precision CNC machined to run perfectly true. 6061-T6 aluminum for extra strength and wear. Finished with a "No Polishing" clear powdercoat.

**Mid Performance Ratios:** Uses performance crank pulley and high water flow water pump pulley.

**High Water Flow Ratios:** Increases cooling by speeding up water flow and fan speed. This helps at critical low speed driving where most overheating occurs. Precision CNC machined to run perfectly true. 6061-T6 aluminum for extra strength and wear. Finished with a "No Polishing" clear powdercoat.



## CHEVY LONG WATER PUMP V-BELT PULLEY SETS

### PERFORMANCE SERIES

**6050 Set Drives: Water Pump, Alternator ..... \$200.68**  
 Set Includes: 6051 1-Groove Crank Pulley 5 $\frac{1}{2}$ "  
 6052 1-Groove Water Pump Pulley 6 $\frac{1}{4}$ "  
 137 1-Groove Alternator Pulley w/Cover 2 $\frac{11}{16}$ "

**6070 Set Drives: Water Pump, Alternator, P.S. .... \$206.15**  
 Set Includes: 6071 2-Groove Crank Pulley 5 $\frac{1}{2}$ "  
 6052 1-Groove Water Pump Pulley 6 $\frac{1}{4}$ "  
 137 1-Groove Alternator Pulley w/Cover 2 $\frac{11}{16}$ "  
 Optional P.S. Pulley.....#513 Keyed, #531 Press Fit

**6090 Set Drives: Water Pump, Alternator, P.S., A/C ..... \$210.71**  
 Set Includes: 6091 3-Groove Crank Pulley 5 $\frac{1}{2}$ "  
 6092 2-Groove Water Pump Pulley 6 $\frac{1}{4}$ "  
 137 1-Groove Alternator Pulley w/Cover 2 $\frac{11}{16}$ "  
 Optional P.S. Pulley.....#521 Keyed, #520 Press Fit

**6095 Set Drives: Water Pump, Alternator, P.S., A/C, A/P ..... \$226.66**  
 Set Includes: 6091 3-Groove Crank Pulley 5 $\frac{1}{2}$ "  
 6112 3-Groove Water Pump Pulley 6 $\frac{1}{4}$ "  
 137 1-Groove Alternator Pulley w/Cover 2 $\frac{11}{16}$ "  
 Optional P.S. Pulley.....#521 Keyed, #520 Press Fit

### HIGH WATER FLOW SERIES

**6160 Set Drives: Water Pump, Alternator ..... \$214.32**  
 Set Includes: 6161 1-Groove Crank Pulley 7"  
 6152 1-Groove Water Pump Pulley 5 $\frac{1}{2}$ "  
 137 1-Groove Alternator Pulley w/Cover 2 $\frac{11}{16}$ "

**6170 Set Drives: Water Pump, Alternator, P.S. .... \$217.08**  
 Set Includes: 6171 2-Groove Crank Pulley 7"  
 6152 1-Groove Water Pump Pulley 5 $\frac{1}{2}$ "  
 137 1-Groove Alternator Pulley w/Cover 2 $\frac{11}{16}$ "  
 Optional P.S. Pulley.....#513 Keyed, #531 Press Fit

**6190 Set Drives: Water Pump, Alternator, P.S., A/C ..... \$224.92**  
 Set Includes: 6191 3-Groove Crank Pulley 7"  
 6092 2-Groove Water Pump Pulley 6 $\frac{1}{4}$ "  
 137 1-Groove Alternator Pulley w/Cover 2 $\frac{11}{16}$ "  
 Optional P.S. Pulley.....#521 Keyed, #520 Press Fit

Optional Billet Alternator Fan #221 ..... \$43.23  
 See Accessories page 18

## CHEVY LONG WATER PUMP SERPENTINE PULLEY SETS

### PERFORMANCE SERIES

**6310 Set Drives: Water Pump, Alternator ..... \$210.46**  
 Set Includes: 6311 6-Rib Crank Pulley 5 $\frac{3}{4}$ " dia.  
 6312 6-Rib Water Pump Pulley 6 $\frac{1}{4}$ " dia.  
 208 6-Rib Alternator Pulley w/Cover 2 $\frac{3}{4}$ " dia.

**6330 Set Drives: Water Pump, Alternator and P.S. .... \$210.46**  
 Set Includes: 6331 6&5-Rib Crank Pulley 5 $\frac{3}{4}$ " dia.  
 6312 6-Rib Water Pump Pulley 6 $\frac{1}{4}$ " dia.  
 208 6-Rib Alternator Pulley w/Cover 2 $\frac{3}{4}$ " dia.

### MID PERFORMANCE SERIES

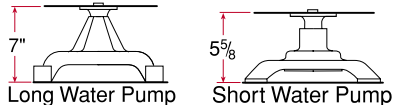
**6350 Set Drives: Water Pump, Alternator ..... \$217.95**  
 Set Includes: 6311 6-Rib Crank Pulley 5 $\frac{3}{4}$ " dia.  
 6322 6-Rib Water Pump Pulley 6 $\frac{1}{4}$ " dia.  
 208 6-Rib Alternator Pulley w/Cover 2 $\frac{3}{4}$ " dia.

**6355 Set Drives: Water Pump, Alternator ..... \$217.95**  
 Set Includes: 6331 6&5-Rib Crank Pulley 5 $\frac{3}{4}$ " dia.  
 6322 6-Rib Water Pump Pulley 6 $\frac{1}{4}$ " dia.  
 208 6-Rib Alternator Pulley w/Cover 2 $\frac{3}{4}$ " dia.

### HIGH WATER FLOW SERIES

**6370 Set Drives: Water Pump, Alternator ..... \$224.01**  
 Set Includes: 6371 6-Rib Crank Pulley 7" dia.  
 6322 6-Rib Water Pump Pulley 5 $\frac{1}{4}$ " dia.  
 208 6-Rib Alternator Pulley w/Cover 2 $\frac{3}{4}$ " dia.

**6380 Set Drives: Water Pump, Alternator and P.S. .... \$210.46**  
 Set Includes: 6381 6&6-Rib Crank Pulley 7" dia.  
 6322 6-Rib Water Pump Pulley 5 $\frac{1}{4}$ " dia.  
 208 6-Rib Alternator Pulley w/Cover 2 $\frac{3}{4}$ " dia.



## CHEVY SHORT WATER PUMP V-BELT PULLEY SETS

### PERFORMANCE SERIES

**6010 Set Drives: Water Pump, Alternator ..... \$186.92**  
 Set Includes: 6011 1-Groove Crank Pulley 5 $\frac{3}{4}$ "  
 6012 1-Groove Water Pump Pulley 6 $\frac{1}{4}$ "  
 137 1-Groove Alternator Pulley w/Cover 2 $\frac{11}{16}$ "

**6015 Set Drives: Water Pump, Alternator, P.S. .... \$201.53**  
 Set Includes: 6031 2-Groove Crank Pulley 5 $\frac{3}{4}$ "  
 6012 1-Groove Water Pump Pulley 6 $\frac{1}{4}$ "  
 137 1-Groove Alternator Pulley w/Cover 2 $\frac{11}{16}$ "  
 Optional P.S. Pulley .....#523 Keyed, #515 Press Fit

**6030 Set Drives: Water Pump, Alternator, P.S. or A/C ..... \$208.82**  
 Set Includes: 6031 2-Groove Crank Pulley 5 $\frac{3}{4}$ "  
 6032 2-Groove Water Pump Pulley 6 $\frac{1}{4}$ "  
 137 1-Groove Alternator Pulley w/Cover 2 $\frac{11}{16}$ "  
 Optional P.S. Pulley .....#523 Keyed, #515 Press Fit

**5090 Set Drives: Water Pump, Alternator, P.S., A/C ..... \$219.42**  
 Set Includes: 5091 3-Groove Crank Pulley 5 $\frac{3}{4}$ "  
 6032 2-Groove Water Pump Pulley 6 $\frac{1}{4}$ "  
 137 1-Groove Alternator Pulley w/Cover 2 $\frac{11}{16}$ "  
 Optional P.S. Pulley .....2V #521 or 1V #510

### HIGH WATER FLOW SERIES

**6110 Set Drives: Water Pump, Alternator ..... \$192.58**  
 Set Includes: 6111 1-Groove Crank Pulley 7"  
 6012 1-Groove Water Pump Pulley 6 $\frac{1}{4}$ "  
 137 1-Groove Alternator Pulley w/Cover 2 $\frac{11}{16}$ "

**6120 Set Drives: Water Pump, Alternator, P.S. or A/C ..... \$207.21**  
 Set Includes: 6131 2-Groove Crank Pulley 7"  
 6032 2-Groove Water Pump Pulley 6 $\frac{1}{4}$ "  
 137 1-Groove Alternator Pulley w/Cover 2 $\frac{11}{16}$ "  
 Optional P.S. Pulley .....#523 Keyed, #515 Press Fit

**6130 Set Drives: Water Pump, Alternator, P.S. .... \$215.19**  
 Set Includes: 6131 2-Groove Crank Pulley 7"  
 6012 1-Groove Water Pump Pulley 6 $\frac{1}{4}$ "  
 137 1-Groove Alternator Pulley w/Cover 2 $\frac{11}{16}$ "  
 Optional P.S. Pulley .....#523 Keyed, #515 Press Fit

**6140 Set Drives: Water Pump, Alternator, P.S., A/C ..... \$224.03**  
 Set Includes: 6151 3-Groove Crank Pulley 7"  
 6032 2-Groove Water Pump Pulley 6 $\frac{1}{4}$ "  
 137 1-Groove Alternator Pulley w/Cover 2 $\frac{11}{16}$ "  
 Optional P.S. Pulley..... 2V #521 or 1V #510

## CHEVY SHORT WATER PUMP SERPENTINE PULLEY SETS

### PERFORMANCE SERIES

**6210 Set Drives: Water Pump, Alternator ..... \$204.87**  
 Set Includes: 6211 6-Rib Crank Pulley 5 $\frac{3}{4}$ " dia.  
 6212 6-Rib Water Pump Pulley 6 $\frac{1}{4}$ " dia.  
 208 6-Rib Alternator Pulley w/Cover 2 $\frac{3}{4}$ " dia.

### HIGH WATER FLOW SERIES

**6270 Set Drives: Water Pump, Alternator ..... \$211.01**  
 Set Includes: 6271 6-Rib Crank Pulley 7" dia.  
 6222 6-Rib Water Pump Pulley 5" dia.  
 208 6-Rib Alternator Pulley w/Cover 2 $\frac{3}{4}$ " dia.

# CHEVY BIG BLOCK SERPENTINE DRIVE

**"Inward Mount" For Single Carbureted Engines**  
**Short Water Pump / Standard & Reverse Rotation**

**New!**  
**Lower Price**

Precision CNC machined from solid billet 6061-T6 aluminum to fit perfectly and handle high torque and vibration. This bracket kit comes complete with stainless steel tensioning rods and chrome moly rod ends for high performance operation. All necessary hardware included. Powdercoated to eliminate polishing in those hard to reach places. Matching serpentine pulleys are precision CNC machined from 6061-T6 aluminum. This is the same material we use for NASCAR pulleys! These pulleys will not fracture like common cast pulleys! High tensile strength means much longer wear. We go as far as hard coating the high wear areas to 65 Rockwell (harder than steel). Our street rod ratio increases water flow and fan speed. This helps at critical low speed driving. All pulleys have a maintenance-free clear powdercoat.

### Application:

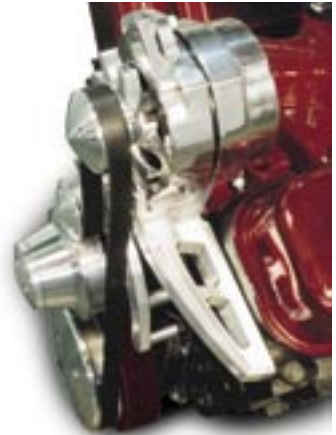
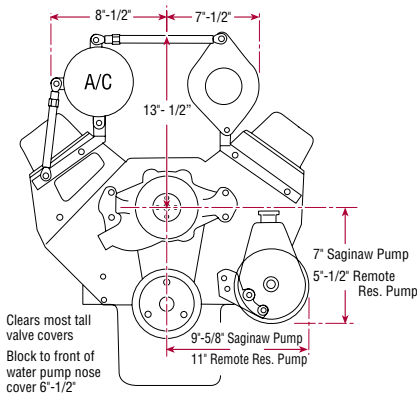
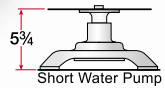
Fits most cars. Requires 13" clearance from center of water pump shaft to hood.

### Kit Includes:

- Alternator bracket
- A/C kit includes A/C bracket, hardware and nose cover
- Tensioning rods and rod ends
- Crankshaft pulley, water pump, pulley and nose cover
- Alternator pulley with fan and nose cover
- Mounting hardware
- Power steering kits include bracket and pulley

### Optional Matching Billet Accessories:

- #400 crank pulley cover
- #450 billet remote power steering reservoir
- #20603 Idler Kit (prevents slippage when mechanical fan is used with std. rotation water pump) non A/C applications  
Changes belt size see instructions.



### High Water Flow Kits (Improves Cooling)

Kit # Drives	Alternator	A/C	Water Pump	Saginaw Keyway P/S Pump	Saginaw Press Fit P/S Pump	Remote Reservoir Power Steering	Belt Size	Suggested retail price
20600	X		X std.				51"	\$566.73
20605	X		X std.	X			59"	\$683.38
20610	X		X std.		X		59"	\$683.38
20615	X		X std.			X	59"	\$723.64
20620	X	X	X rev.				65"	\$590.42
20625	X	X	X rev.	X			71.5"	\$713.09
20630	X	X	X rev.		X		71.5"	\$713.09
20635	X	X	X rev.			X	71.5"	\$823.33
Type of Accessories	GM 6-12 o'clock mounting 6" or 7" diameter alternator	Sanden 505 or 508 serpentine A/C	1984-91 Corvette reverse rotation water pump	1971 Impala keyway Saginaw pump with canister	1970-78 Impala press fit Saginaw pump with canister	1987 Sunbird small remote reservoir pump	Dayco Polycog 6 rib	

## CHEVY BIG BLOCK SERPENTINE DRIVE

### "High Mount" A/C & Alternator Serpentine Kit For Multi Carburetor, Super Chargers, Tune Port

System simply bolts to the front of your heads. Precision CNC machined from solid billet 6061-T6 aluminum to fit perfectly and handle high torque and vibration. Bracket kit comes complete with stainless steel tensioning rods chrome moly rod end for high performance operation. All necessary hardware included. Clear powdercoated to eliminate polishing in those hard to reach places. Matching serpentine pulleys are precision CNC machined from 6061-T6 aluminum. This is the same material we use for NASCAR pulleys! These pulleys will not fracture like common cast pulleys! High tensile strength means much longer wear. We go as far as hard coating the high wear areas on our high water flow ratio pulleys! Our street rod ratio increases water flow and fan speed. This helps at critical low speed driving. All pulleys have a maintenance-free clear powdercoat.



#### Application:

Street rod and truck with hood clearance (17" with std. 7" alternator) or (16" with small 6" diameter alternator) from center of water pump shaft. Edelbrock #8854 & #8864 water pumps use cast

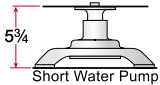
iron kits.

#### Kit Includes:

- Big Block Chevy high mount bracket kit
- High water flow street rod ratio with crank, water pump with nose cover and alternator pulley with alt pulley fan and cover
- Complete idler kit
- Sanden A/C cover

#### Optional Matching Billet Accessories:

- #400 crank pulley cover (for non-blower applications)
- #450 billet remote power steering reservoir



Short Water Pump

#### Kits Using Cast Iron Reverse Rotation Water Pump

Kit # Drives	Alternator	A/C	Water Pump	Remote Reservoir Power Steering	Belt Size	Suggested retail price
20775	X	X	X		107"	\$1,041.70
20780	X	X	X	X	113"	\$1,267.99

#### Kits Using Cast Aluminum Reverse Rotation Water Pump

20785	X	X	X		107"	\$1,041.70
20790	X	X	X	X	113"	\$1,267.99
Type of Accessories	GM 6-12 o'clock mounting 6" or 7" diameter alternator	Sanden 505 or 508 serpentine A/C	Aluminum reverse rotation short water pump	1987 Sunbird remote reservoir pump	Dayco 6 riba	

## Chevy "Low Mount" Serpentine Kit Short Water Pump

#### Kit Includes:

- Crank and water pump pulley with nose cover
- Alternator pulley with alternator fan and nose cover
- Idler pulley with cover
- Alternator bracket with relocater
- Tension rod and hardware

#### Optional Matching Billet Accessories:

- #400 crank pulley cover (high water flow kits only)



#### Performance Ratios (Increases Horsepower)

Kit # Drives	Alternator	Water Pump	P/S & A/C Belt Size	Suggested retail price
20231	X	X	42.5"	\$367.76

#### High Water Flow Ratios (Increases Cooling)

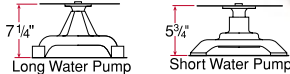
20241	X	X	41"	\$373.91
Type of Accessories	GM 6-12 o'clock mounting 6" or 7" diameter alternator	Standard rotation short water pump	Dayco 6 rib	

## CHEVY BIG BLOCK PULLEY SETS

Precision CNC machined to run perfectly true. 6061-T6 aluminum for extra strength and wear. Finished with a "No Polishing" clear powdercoat.

**Performance Ratios:** Increases horsepower by reducing accessory drag. 12-15 h.p. at rear wheels typical. Eliminates belt throwing. Designed for daily street driving.

**High Water Flow Ratios:** Increases cooling by speeding up water flow and fan speed. This helps at critical low speed driving where most over-heating occurs.



### LONG WATER PUMP V-BELT PULLEY SETS

#### PERFORMANCE RATIOS

**7005 Set Drives: Water Pump, Alternator ..... \$205.55**

Set Includes: 7006 1-Groove Crank Pulley 5 1/2"  
6052 1-Groove Water Pump Pulley 6 1/4"  
137 1-Groove Alternator Pulley w/Cover 2 11/16"

**7015 Set Drives: Water Pump, Alternator, P.S. .... \$211.80**

Set Includes: 7021 2-Groove Crank Pulley 5 1/2"  
6052 1-Groove Water Pump Pulley 6 1/4"  
137 1-Groove Alternator Pulley w/Cover 2 11/16"

Optional P.S. Pulley #513 Keyed, #531 Press Fit

**7020\* Set Drives: Water Pump, Alternator, P.S. or A/C ..... \$214.87**

Set Includes: 7021 2-Groove Crank Pulley 5 1/2"  
6092 2-Groove Water Pump Pulley 6 1/4"  
137 1-Groove Alternator Pulley w/Cover 2 11/16"

Optional P.S. Pulley #513 Keyed, #531 Press Fit

**7040\* Set Drives: Water Pump, Alternator, P.S., A/C ..... \$218.01**

Set Includes: 7041 3-Groove Crank Pulley 5 1/2"  
6092 2-Groove Water Pump Pulley 6 1/4"  
137 1-Groove Alternator Pulley w/Cover 2 11/16"

Optional P.S. Pulley #521 Keyed, #520 Press Fit

**7050 Set Drives: Water Pump, Alternator, P.S., A/C ..... \$215.17**

Set Includes: 7041 3-Groove Crank Pulley 5 1/2"  
6052 1-Groove Water Pump Pulley 6 1/4"  
137 1-Groove Alternator Pulley w/Cover 2 11/16"

Optional P.S. Pulley #521 Keyed, #520 Press Fit

#### HIGH WATER FLOW RATIOS

**7105 Set Drives: Water Pump, Alternator ..... \$219.76**

Set Includes: 7106 1-Groove Crank Pulley 7"  
6152 1-Groove Water Pump Pulley 5 1/2"  
137 1-Groove Alternator Pulley w/Cover 2 11/16"

**7115 Set Drives: Water Pump, Alternator, P.S. .... \$226.01**

Set Includes: 7121 2-Groove Crank Pulley 7"  
6152 1-Groove Water Pump Pulley 5 1/2"  
137 1-Groove Alternator Pulley w/Cover 2 11/16"

Optional P.S. Pulley #521 Keyed, #520 Press Fit

**7140\* Set Drives: Water Pump, Alternator, P.S., A/C ..... \$232.83**

Set Includes: 7141 3-Groove Crank Pulley 7"  
6092 2-Groove Water Pump Pulley 6 1/4"  
137 1-Groove Alternator Pulley w/Cover 2 11/16"

Optional P.S. Pulley #521 Keyed, #520 Press Fit

**7150 Set Drives: Water Pump, Alternator, P.S., A/C ..... \$229.30**

Set Includes: 7041 3-Groove Crank Pulley 7"  
6152 1-Groove Water Pump Pulley 5 1/2"  
137 1-Groove Alternator Pulley w/Cover 2 11/16"

Optional P.S. Pulley #521 Keyed, #520 Press Fit

\*1980's Water Pump needed

Optional Billet Alternator Fan #221 .... \$43.23

See Accessories page 18

### LONG WATER PUMP SERPENTINE PULLEY SETS INSTALLS USING STANDARD V-BELT BRACKETS AND STANDARD WATER PUMP

#### PERFORMANCE RATIOS

**7210 Set Drives: Water Pump, Alternator ..... \$222.92**

Set Includes: 7211 6-Rib Crank Pulley 5 3/4" dia.  
6312 6-Rib Water Pump Pulley 6 1/4" dia.  
208 6-Rib Alternator Pulley w/Cover 2 3/4" dia.

**7630 Set Drives: Water Pump, Alternator and P.S. .... \$217.95**

Set Includes: 7231 6&5-Rib Crank Pulley 5 3/4" dia.  
6312 6-Rib Water Pump Pulley 6 1/4" dia.  
208 6-Rib Alternator Pulley w/Cover 2 3/4" dia.

**7630 Set Requires: 616 or 617 matching P.S. Pulley .... \$224.92**

616 5-Rib Power Steering Pulley w/Keyway  
617 5-Rib Power Steering Pulley w/Press Fit

#### HIGH WATER FLOW RATIOS

**7310 Set Drives: Water Pump, Alternator ..... \$230.27**

Set Includes: 7311 6-Rib Crank Pulley 7" dia.  
6322 6-Rib Water Pump Pulley 5 1/4" dia.  
208 6-Rib Alternator Pulley w/Cover 2 3/4" dia.

**7330 Set Drives: Water Pump, Alternator and P.S. .... \$217.95**

Set Includes: 7331 6&6-Rib Crank Pulley 7" dia.  
6322 6-Rib Water Pump Pulley 5 1/4" dia.  
208 6-Rib Alternator Pulley w/Cover 2 3/4" dia.

**7330 Set Requires: 623 or 624 matching P.S. Pulley**

623 6-Rib Power Steering Pulley w/Keyway  
624 6-Rib Power Steering Pulley w/Press Fit

**NOTE: If you do not have a power steering pump we recommend ordering #616 or #623 and a 1971-1974 Chevy Impala V8 keyed power steering pump #P300.**

### SHORT WATER PUMP V-BELT PULLEY SETS

#### PERFORMANCE RATIOS

**7510 Set Drives: Water Pump, Alternator ..... \$199.42**

Set Includes: 7511 1-Groove Crank Pulley 5 1/2"  
7512 1-Groove Water Pump Pulley 6 1/4"  
137 1-Groove Alternator Pulley w/Cover 2 11/16"

**7530 Set Drives: Water Pump, Alternator, P.S. or A/C ..... \$211.87**

Set Includes: 7531 2-Groove Crank Pulley 5 1/2"  
7532 2-Groove Water Pump Pulley 6 1/4"  
137 1-Groove Alternator Pulley w/Cover 2 11/16"

**7550 Set Drives: Water Pump, Alternator, P.S., A/C ..... \$225.89**

Set Includes: 7551 3-Groove Crank Pulley 5 1/2"  
7532 2-Groove Water Pump Pulley 6 1/4"  
137 1-Groove Alternator Pulley w/Cover 2 11/16"

#### HIGH WATER FLOW RATIOS

**7710 Set Drives: Water Pump, Alternator ..... \$213.06**

Set Includes: 7711 1-Groove Crank Pulley 7"  
7512 1-Groove Water Pump Pulley 6 1/4"  
137 1-Groove Alternator Pulley w/Cover 2 11/16"

**7730 Set Drives: Water Pump, Alternator, P.S. or A/C ..... \$225.51**

Set Includes: 7731 2-Groove Crank Pulley 7"  
7532 2-Groove Water Pump Pulley 6 1/4"  
137 1-Groove Alternator Pulley w/Cover 2 11/16"

**7750 Set Drives: Water Pump, Alternator, P.S., A/C ..... \$228.36**

Set Includes: 7751 3-Groove Crank Pulley 7"  
7532 2-Groove Water Pump Pulley 6 1/4"  
137 1-Groove Alternator Pulley w/Cover 2 11/16"

### SHORT WATER PUMP SERPENTINE PULLEY SETS INSTALLS USING STANDARD V-BELT BRACKETS AND STANDARD WATER PUMP

#### PERFORMANCE RATIOS

**7670 Set Drives: Water Pump, Alternator ..... \$231.59**

Set Includes: 7671 6-Rib Crank Pulley 7" dia.  
6222 6-Rib Water Pump Pulley 5" dia.  
208 6-Rib Alternator Pulley w/Cover 2 3/4" dia.

#### HIGH WATER FLOW RATIOS

**7610 Set Drives: Water Pump, Alternator ..... \$217.95**

Set Includes: 7611 6-Rib Crank Pulley 5 3/4" dia.  
6212 6-Rib Water Pump Pulley 6 1/4" dia.  
208 6-Rib Alternator Pulley w/Cover 2 3/4" dia.

# FORD 302 ULTRA SERPENTINE STREET ROD KIT



## Ultra Kit

March Performance has designed a spectacular kit around the 1994-1995 Mustang short water pump for improved engine to radiator clearance. This kit is completely machined from solid billet 6061-T6 aluminum! March Performance supplies the stainless steel tensioning rods, rod ends and all the necessary mounting hardware. This beautiful new machine finish is covered with a maintenance-free "No Polishing" clear powdercoat. We even go as far as hard coating the high wear areas on our high water flow ratio pulleys.

### Application:

Early street rods or full size truck with 14" hood clearance from center of water pump shaft. 94 - 95 Mustang water pump and timing cover. No provision for dipstick with mechanical fuel pump must use oil pan type dipstick.

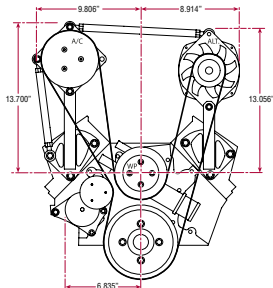
### Kit Includes:

- Alternator and A/C brackets with Perfect Positioning™ bushing
- High water flow ratio pulley kit (crank, water pump with nose cover, alternator pulley, alternator fan and cover
- OEM Style tensioner, mounting bracket, covers and hardware
- A/C cover
- Power steering kit includes bracket and pulley

With OEM Style Tensioner  
Tensioner delete minus \$160.00 .... CALL

### Optional Matching Billet Accessories:

- #450 billet remote power steering reservoir



# FORD 302 DELUXE SERPENTINE STREET ROD KIT

## Lower Cost Deluxe Kit

### Application:

Early street rods or full size truck with 14" hood clearance from center of water pump shaft. 94 - 95 Mustang water pump and timing cover. No provision for dipstick with mechanical fuel pump must use oil pan type dipstick.

### Kit Includes:

- Alternator and A/C brackets
- High water flow ratio pulley kit (crank, water pump with nose cover, alternator pulley, alternator fan and cover
- A/C cover
- Power steering kit includes bracket and pulley

### Optional Matching Billet Accessories:

- #450 billet remote power steering reservoir



### Ford 302 Serpentine Street Rod Kits

Kit # Drives	Alternator	A/C	Water Pump	Remote Reservoir Power Steering	Belt Size	Suggested retail price
30022 Ultra	X	X	X		69"	\$805.08
30023 Ultra	X	X	X	X	82.5"	\$983.45
30020 Deluxe	X	X	X		69"	\$576.24
30021 Deluxe	X	X	X	X	82.5"	\$754.61

### Ford 351 Serpentine Street Rod Kits

30032 Ultra	X	X	X		73.5"	\$805.08
30033 Ultra	X	X	X	X	87"	\$983.45
30030 Deluxe	X	X	X		73.5"	\$576.24
30031 Deluxe	X	X	X	X	87"	\$754.61
Type of Accessories	Early Ford 6-12 o'clock mounting alternator	Sanden 505 or 508 serpentine A/C	1994-95 Mustang short water pump and timing cover, Ford Racing #M-8501-A50 or March #P500	GM 1987 6 cyl. Sunbird small remote reservoir pump		

## FORD V-BELT PULLEY SETS

**Performance Series:** Increases horsepower by reducing accessory drag. 12.5-15 h.p. at rear wheels typical. Eliminates belt throwing. Designed for normal street driving. CNC machined to run perfectly true. 6061-T6 aluminum for extra strength and wear. Finished with a "No Polishing" clear powdercoat

**High Water Flow Series:** Increases cooling by speeding up water flow and fan speed. This helps at critical low speed driving where most overheating occurs. Precision CNC machined from billet 6061-T6 aluminum. Finished with a "No Polishing" clear powdercoat.

Optional Billet Alternator Fan #221 .... \$43.23  
See Accessories page 18

Optional Matching Power Steering Pulleys  
#504 289 - 302 c.i. ... \$68.83  
#502 351 Windsor & Cleveland ... \$68.83



Call for FE  
and 460's

## FORD 1965-1969 289-302-351 C.I.

Factory 3 bolt dampener, Passenger side lower radiator hose **Note:** Dampener face to water pump flange face 3-7/8"

### PERFORMANCE SERIES

#### 1550 Set Drives: Water Pump, Alternator .... \$211.31

Set Includes: 1551 1-Groove Crank Pulley 5 1/2"  
1552 1-Groove Water Pump Pulley 6"  
137 1-Groove Alternator Pulley w/Cover 2 11/16"

#### 1560 Set Drives: Water Pump, Alternator, P.S. .... \$218.22

Set Includes: 1561 2-Groove Crank Pulley 5 1/2"  
1562 2-Groove Water Pump Pulley 6"  
137 1-Groove Alternator Pulley w/Cover 2 11/16"

#### 1595 Set Drives: Water Pump, Alternator, P.S., A/C .... \$224.79

Set Includes: 1593 3-Groove Crank Pulley 5 1/2"  
1562 2-Groove Water Pump Pulley 6"  
137 1-Groove Alternator Pulley w/Cover 2 11/16"

### HIGH WATER FLOW SERIES

#### 1555 Set Drives: Water Pump, Alternator .... \$211.31

Set Includes: 1555 1-Groove Crank Pulley 5 1/2"  
1553 1-Groove Water Pump Pulley 5"  
137 1-Groove Alternator Pulley w/Cover 2 11/16"

#### 1565 Set Drives: Water Pump, Alternator, P.S. .... \$218.22

Set Includes: 1561 2-Groove Crank Pulley 5 1/2"  
1563 2-Groove Water Pump Pulley 5"  
137 1-Groove Alternator Pulley w/Cover 2 11/16"

#### 1585 Set Drives: Water Pump, Alternator, P.S., A/C .... \$224.79

Set Includes: 1593 3-Groove Crank Pulley 5 1/2"  
1563 2-Groove Water Pump Pulley 5"  
137 1-Groove Alternator Pulley w/Cover 2 11/16"

## FORD 1969 1/2 & LATER 302-351 C.I. WINDSOR & CLEVELAND

Factory 4 bolt dampener only Drivers side lower radiator hose Fluidamper use 1431 Spacer  
SVO / Summit Dampener use #1433 spacer **Note:** Dampener face to water pump flange face 3-1/4"

### PERFORMANCE SERIES

#### 1610 Set Drives: Water Pump, Alternator .... \$212.99

Set Includes: 1611 1-Groove Crank Pulley 5 1/2"  
1613 1-Groove Water Pump Pulley 6 1/4"  
137 1-Groove Alternator Pulley w/Cover 2 11/16"

#### 1625 Set Drives: Water Pump, Alternator, P.S. .... \$222.92

Set Includes: 1631 2-Groove Crank Pulley 5 1/2"  
1612 1-Groove Water Pump Pulley 6 1/4"  
137 1-Groove Alternator Pulley w/Cover 2 11/16"

#### 1630 Set Drives: Water Pump, Alternator, P.S. .... \$232.81

Set Includes: 1631 2-Groove Crank Pulley 5 1/2"  
1632 2-Groove Water Pump Pulley 6 1/4"  
137 1-Groove Alternator Pulley w/Cover 2 11/16"

### HIGH WATER FLOW SERIES

#### 1647 Set Drives: Water Pump, Alternator .... \$213.00

Set Includes: 1611 1-Groove Crank Pulley 5 1/2"  
1616 1-Groove Water Pump Pulley 5 1/4"  
137 1-Groove Alternator Pulley w/Cover 2 11/16"

#### 1657 Set Drives: Water Pump, Alternator, P.S. .... \$222.92

Set Includes: 1631 2-Groove Crank Pulley 5 1/2"  
1618 1-Groove Water Pump Pulley 5 1/4"  
137 1-Groove Alternator Pulley w/Cover 2 11/16"

#### 1667 Set Drives: Water Pump, Alternator, P.S. .... \$232.81

Set Includes: 1631 2-Groove Crank Pulley 5 1/2"  
1633 2-Groove Water Pump Pulley 5 1/4"  
137 1-Groove Alternator Pulley w/Cover 2 11/16"

**NOTE:** Before choosing the sets below you will have to measure the distance from the face of your dampener to the center of the pulley's (crank pulley) first groove.

### PERFORMANCE SERIES

#### 1650 Set Drives: Water Pump, Alternator, P.S., A/C .... \$232.18

Set Includes: 1651 3-Groove Crank Pulley 5 1/2"  
\*First Groove Offset is .059 or 1/16" From Dampener Face  
1612 1-Groove Water Pump Pulley 6 1/4"  
137 1-Groove Alternator Pulley w/Cover 2 11/16"

#### 1690 Set Drives: Water Pump, Alternator, P.S., A/C .... \$232.18

Set Includes: 1691 3-Groove Crank Pulley 5 3/4"  
\*First Groove Offset is .954 or 15/16" From Dampener Face  
1612 1-Groove Water Pump Pulley 6 1/4"  
137 1-Groove Alternator Pulley w/Cover 2 11/16"

### HIGH WATER FLOW SERIES

#### 1655 Set Drives: Water Pump, Alternator, P.S., A/C .... \$232.18

Set Includes: 1651 3-Groove Crank Pulley 5 1/2"  
\*First Groove Offset is .059 or 1/16" From Dampener Face  
1618 1-Groove Water Pump Pulley 5 1/4"  
137 1-Groove Alternator Pulley w/Cover 2 11/16"

#### 1685 Set Drives: Water Pump, Alternator, P.S., A/C .... \$232.18

Set Includes: 1691 3-Groove Crank Pulley 5 3/4"  
\*First Groove Offset is .954 or 15/16" From Dampener Face  
1618 1-Groove Water Pump Pulley 5 1/4"  
137 1-Groove Alternator Pulley w/Cover 2 11/16"

## 302-351 WINDSOR

Factory 4 Bolt Dampener and Early Passenger Side Lower Radiator Hose **Note:** Dampener face to water pump flange face 3"

### PERFORMANCE SERIES

#### 1615 Set Drives: Water Pump, Alternator .... \$212.83

Set Includes: 1614 1-Groove Crank Pulley 5 1/2"  
1552 1-Groove Water Pump Pulley 6"  
137 1-Groove Alternator Pulley w/Cover 2 11/16"

#### 1635 Set Drives: Water Pump, Alternator, P.S. .... \$240.07

Set Includes: 1545 2-Groove Crank Pulley 5 3/4"  
1562 2-Groove Water Pump Pulley 6"  
137 1-Groove Alternator Pulley w/Cover 2 11/16"

#### 1695 Set Drives: Water Pump, Alternator, P.S., A/C .... \$247.33

Set Includes: 1547 3-Groove Crank Pulley 5 1/2"  
1562 2-Groove Water Pump Pulley 6"  
137 1-Groove Alternator Pulley w/Cover 2 11/16"

### HIGH WATER FLOW SERIES

#### 1617 Set Drives: Water Pump, Alternator .... \$212.83

Set Includes: 1614 1-Groove Crank Pulley 5 1/2"  
1553 1-Groove Water Pump Pulley 5"  
137 1-Groove Alternator Pulley w/Cover 2 11/16"

#### 1637 Set Drives: Water Pump, Alternator, P.S. .... \$240.07

Set Includes: 1545 2-Groove Crank Pulley 5 3/4"  
1563 2-Groove Water Pump Pulley 5"  
137 1-Groove Alternator Pulley w/Cover 2 11/16"

#### 1697 Set Drives: Water Pump, Alternator, P.S., A/C .... \$247.29

Set Includes: 1547 3-Groove Crank Pulley 5 1/2"  
1563 2-Groove Water Pump Pulley 5"  
137 1-Groove Alternator Pulley w/Cover 2 11/16"

## CHEVY LS-1 SERPENTINE KITS "Outward Mount" Alternator and A/C

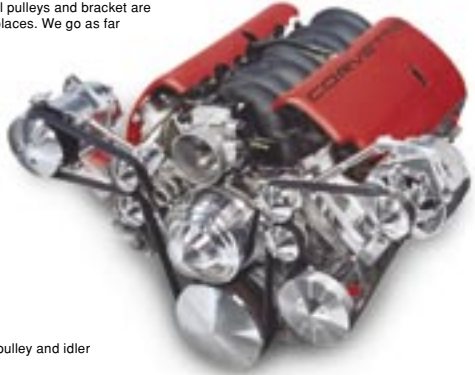
Precision CNC machined from solid billet 6061-T6 aluminum to fit perfectly and handle high torque and vibration. This bracket kit comes complete with stainless steel tensioning rods and chrome moly rod ends for high performance operation. All necessary hardware included. All pulleys and bracket are powdercoated to eliminate polishing in those hard to reach places. We go as far as hard coating the high wear areas on our pulleys!

### Application:

These kits fit most 1955 and newer Chevys.

### Kit Includes:

- Crank pulley Cover
- Water pump pulley nose cover
- Alternator pulley with alternator fan and cover
- Outward mount alternator and A/C brackets and mounting hardware
- Tension relocation arm
- Stainless tensioning rod and rod ends
- Idlers with covers and double bearing
- A/C Cover
- Power steering kit includes bracket and pulley
- Remote reservoir power steering kit includes bracket pulley and idler



### Optional Matching Billet Accessories:

- #450 billet aluminum remote power steering reservoir canister

**High Mount Coming Soon!**

Chevy LS-1 Outward Mount					
Kit # Drives	Alternator	A/C	Remote Reservoir Power Steering	Belt Size	Suggested retail price
20101	X			78.5"	\$540.00
20102	X		X	95.5"	\$749.00
20103	X	X		100"	\$1,163.00
20104	X	X	X	115"	\$1,302.00
Type of Accessories	Suggest alternator 6" (100 amp) 1989 Buick Skylark 4 cyl. (with 6 & 12 o'clock mounting position).	Sanden 505 or 508 serpentine A/C	1987 Sunbird remote reservoir pump	Dayco 6 rib	

## LT-1 SERPENTINE KITS "High Mount" Alternator and A/C

Our new LT-1 Serpentine kit is completely CNC machined from solid billet 6061-T6 aluminum. This translates into a spectacular looking new machine finish with perfect fit and extra strength. All our billet pulleys and brackets have a "No Polishing" maintenance-free clear powdercoating. Our kit comes complete with stainless steel tensioning rod, chrome moly rod ends and necessary mounting hardware.

### Application:

This kit is designed to fit 1957 and earlier cars and all full size trucks.

### Kit Includes:

- High mount A/C, alternator brackets with tensioning rods and hardware
- Idler brackets
- Idlers with cover and double bearings
- Crankshaft pulley nose cover for Camaro/Firebird or Corvette engine
- Crankshaft adapter for Camaro/Firebird engine
- Water pump nose cover
- A/C nose cover
- Alternator pulley with fan and nose cover
- Power steering kits include bracket and pulley

### Optional Matching Billet Accessories:

- #450 billet remote power steering reservoir canister



Corvette LT-1 High Mount					
Kit # Drives	Alternator	A/C	Remote Reservoir Power Steering	Belt Size	Suggested retail price
20911	X	X	X	75"	\$887.17
20910	X	X		68.5"	\$752.07
Camaro/Firebird LT-1 High Mount					
20920	X	X		68.5"	\$795.36
20921	X	X	X	75"	\$930.45
Type of Accessories	Suggest alternator 6" (100 amp) 1989 Buick Skylark 4 cyl. (with 6 & 12 o'clock mounting position).	Sanden 505 or 508 serpentine A/C	1987 Sunbird remote reservoir pump	Dayco 6 rib	



## CHRYSLER V-BELT PULLEYS

340, 360, 383 & 440

# Bolt-On Power & Beauty



Precision CNC machined to run perfectly true. 3 piece kits are machined 6061-T6 aluminum for extra strength and wear. Finished with a "No-Polishing" clear powdercoat. See color chart on back cover.

**Performance Series** - Increases horsepower by reducing accessory drag. 12 h.p. at rear wheels typical. Eliminates belt throwing. Designed for normal street driving.

**Power & Amp Series** - Increases horsepower by reducing accessory drag. 10 H.P. at rear wheel. Design for vehicle with high amperage needs. EXCELLENT for towing and heavy stop and go driving. Magnum engines only.

**Street Rod Ratio** - Increases cooling by speeding up water flow and fan speed. This helps at critical low speed driving where most over-heating occurs. Precision CNC machined from billet 6061-T6 aluminum. Finished with a "No-Polishing" clear powdercoat. See color chart on back cover.

## 1991-1996 DODGE MAGNUM 3.9-5.2-5.9

### PERFORMANCE SERIES

**10510 3 Piece Aluminum Set; Clear, or Black .... \$225.94**

Set Includes: **10511** 7 Rib Crank Pulley (uses original belt)  
**10512** Non Ribbed Water Pump Pulley  
**211** 7 Rib Alternator Pulley  
 \*Matching Power Steering Pulley #645

### POWER & AMP SERIES

**10515 3 Piece Aluminum Set; Clear, or Black .... \$225.94**

Set includes: **10509** 6 Rib Crank Pulley (uses 6 rib belt)  
**10512** Non Ribbed Water Pump Pulley  
**212** 6 Rib Alternator Pulley  
 \*Matching Power Steering Pulley #646

## 1967-1969 SMALL BLOCK (273-318-340)

### PERFORMANCE SERIES

**10215 Set Drives: Water Pump, Alternator .... \$226.03**

Set Includes: **10091** 1-Groove Crank Pulley 5 1/2"  
**10012** 1-Groove Water Pump Pulley 6 5/8"  
**139** 1-Groove Alternator Pulley w/Cover 2 3/4"

### PERFORMANCE SERIES

**10255 Set Drives: Water Pump, Alternator, P.S. .... \$221.27**

Set Includes: **10093** 2-Groove Crank Pulley 5 1/2"  
**10012** 1-Groove Water Pump Pulley 6 5/8"  
**139** 1-Groove Alternator Pulley w/Cover 2 3/4"

## 1970 LATER SMALL BLOCK 318-340-360

### PERFORMANCE SERIES

**10210 Set Drives: Water Pump, Alternator .... \$214.89**

Set Includes: **10011** 1-Groove Crank Pulley 5 1/4"  
**10212** 1-Groove Water Pump Pulley 6 1/2"  
**139** 1-Groove Alternator Pulley w/Cover 2 3/4"

### POWER & AMP SERIES

**10225 Set Drives: Water Pump, Alternator .... \$221.27**

Set Includes: **10009** 1-Groove Crank Pulley 6 5/8"  
**10212** 1-Groove Water Pump Pulley 6 1/2"  
**139** 1-Groove Alternator Pulley w/Cover 2 3/4"

**10250 Set Drives: Water Pump, Alternator, P.S. .... \$221.27**

Set Includes: **10051** 2-Groove Crank Pulley 5 1/2"  
**10212** 1-Groove Water Pump Pulley 6 1/2"  
**139** 1-Groove Alternator Pulley w/Cover 2 3/4"

**10265 Set Drives: Water Pump, Alternator, P.S. .... \$232.42**

Set Includes: **10049** 2-Groove Crank Pulley 6 5/8"  
**10212** 1-Groove Water Pump Pulley 6 1/2"  
**139** 1-Groove Alternator Pulley w/Cover 2 3/4"

#### Optional Power Steering Pulleys all kits

#530 Saginaw Pump Keyed  
 #531 Saginaw Pump Press Fit  
 #532 Federal Pump

**10270 Set Drives: Water Pump, Alternator, P.S., A/C .... \$231.00**

Set Includes: **10271** 3-Groove Crank Pulley 6 3/4"  
**10252** 1-Groove Water Pump Pulley 6 1/2"  
**178** 2-Groove Alternator Pulley w/Cover 2 3/4"

## 1970 LATER BIG BLOCK 383-440

HEMI'S *Call!*

### PERFORMANCE SERIES

**10010 Set Drives: Water Pump, Alternator .... \$214.89**

Set Includes: **10011** 1-Groove Crank Pulley 5 1/4"  
**10012** 1-Groove Water Pump Pulley 6 3/4"  
**139** 1-Groove Alternator Pulley w/Cover 2 3/4"

### STREET ROD RATIO

**10015 Set Drives: Water Pump, Alternator .... \$226.03**

Set Includes: **10009** 1-Groove Crank Pulley 6 1/2"  
**10012** 1-Groove Water Pump Pulley 6 3/4"  
**139** 1-Groove Alternator Pulley w/Cover 2 3/4"

**10050\* Set Drives: Water Pump, Alternator, P.S. .... \$227.31**

Set Includes: **10051** 2-Groove Crank Pulley 5 1/4"  
**10052** 2-Groove Water Pump Pulley 6 3/4"  
**139** 1-Groove Alternator Pulley w/Cover 2 3/4"

**10075\* Set Drives: Water Pump, Alternator, P.S. .... \$231.51**

Set Includes: **10049** 2-Groove Crank Pulley 6 1/2"  
**10052** 2-Groove Water Pump Pulley 6 3/4"  
**139** 1-Groove Alternator Pulley w/Cover 2 3/4"

\* This set replaces standard single groove water pump with 2 groove to prevent power steering belt from rubbing on water pump pulley.

**10070 Set Drives: Water Pump, Alternator, P.S., A/C .... \$227.24**

Set Includes: **10071** 4-Groove Crank Pulley 6 1/4"  
**10072** 1-Groove Water Pump Pulley 6 3/4"  
**178** 2-Groove Alternator Pulley w/Cover 2 3/4"

## CHRYSLER FLUIDAMPER

with Flat Face

### BIG BLOCK with FLUIDAMPER 383-440

#### PERFORMANCE SERIES

**10150 Set Drives: Water Pump, Alternator .... \$220.58**

Set Includes: **10151** 1-Groove Crank Pulley 5 1/4"  
**10012** 1-Groove Water Pump Pulley 6 3/4"  
**139** 1-Groove Alternator Pulley w/Cover 2 3/4"

### 1970 LATER SMALL BLOCK with FLUIDAMPER 318-340-360

#### PERFORMANCE SERIES

**10350 Set Drives: Water Pump, Alternator .... \$220.58**

Set Includes: **10151** 1-Groove Crank Pulley 5 1/4"  
**10012** 1-Groove Water Pump Pulley 6 1/2"  
**139** 1-Groove Alternator Pulley w/Cover 2 3/4"

**10170\* Set Drives: Water Pump, Alternator, P.S. .... \$226.70**

Set Includes: **10171** 2-Groove Crank Pulley 5 1/4"  
**10052** 2-Groove Water Pump Pulley 6 3/4"  
**139** 1-Groove Alternator Pulley w/Cover 2 3/4"

**10370 Set Drives: Water Pump, Alternator, P.S. .... \$226.95**

Set Includes: **10171** 2-Groove Crank Pulley 5 1/2"  
**10012** 1-Groove Water Pump Pulley 6 1/2"  
**139** 1-Groove Alternator Pulley w/Cover 2 3/4"

## MATCHING ACCESSORIES

March has a complete line of matching Alternator, Air Conditioning, Power Steering Pumps, Water Pumps and Fans to help complete your project.

### ALTERNATORS

"New" Tuff Stuff Brand Alternators



# P550

**Part # P550** GM 100 amp  
1 wire 7" dia. polished .....\$150.00

**Part # P555** GM 100 amp  
1 wire 7" dia. chrome .....\$150.00

**Part # P565** GM 105 amp  
1 wire 6" dia. polished  
(CS-130 style) .....\$259.00

**Part # P560** Ford 100 amp  
1 wire polished .....\$160.00

**Part # P590** SB Mopar  
(serp kits only) .....\$195.00

**Part # P595** BB Mopar  
(serp kits only) .....\$195.00

### WATER PUMPS

Chevy Small Block Corvette 1988 - 1991 Reverse Rotation



# P110



# P115

**Part # P100** Polished Aluminum  
(New) Tuff Stuff Brand .....\$149.00

**Part # P105** Polished Deluxe  
(New Stewart) .....\$185.00

**Part # P110** Chromed  
(New) .....\$159.00

**Part # P115** Aluminum  
(remanufactured) ....\$50.00

### A/C COMPRESSORS

Sanden 508 with Serpentine Pulley

**Part # P400**

Sanden 508 polished older style R-12 refrigerant, with serpentine pulley (new) .....\$250.00

**Part # P410**

Sanden 508 polished newer style HFC-134 refrigerant, with serpentine pulley (new) .....\$250.00



### POWER STEERING PUMPS

Saginaw canister style 1966-1972

We recommend 1971 Chevy Impala V8. The hose fitting connections are in the ideal location and is simple to mount and remove pulleys with keyway and nut.

**Part # P300**  
1971 Impala Keyway Style .....\$99.00

**Part # P304**  
1971 Impala Keyway Style (Chrome).....\$149.00

**Remote Reservoir Style**

**1987 Pontiac Sunbird**

**Part # P315** (Remanufactured) .....\$109.00

**Part # P320** Polished Alum. (New) .....\$249.00



# P300



# P315



# P320

### STAINLESS BRAIDED POWER STEERING HOSE KITS

Applicable to P315 and P320 Only, with March Reservoir #450



**Part # P321** Fits pump and reservoir to 74-78 Mustang II rack and pinion. ....\$189.00

**Part # P322** Fits pump and reservoir to GM steering box 1978 and older (flare fittings on box). ....\$189.00

**Part # P323** Fits pump and reservoir to GM steering box 1979 and newer (with metric O-ring fittings on box). ....\$189.00

**Part # P324** Fits pump and reservoir to Ford 1979 and up rack and pinion. ....\$189.00

### GM- FORD ALTERNATOR FAN

**Part # 221** Works with any alternator pulley Precision CNC machined from solid billet 6061-T6 aluminum, covered with clear powdercoat.  
\$43.23



### REGULATOR KIT



**Part # P306**

Regulator kit allows you to regulate pressure for power rack and pinion or gear box requirements.  
.....\$25.00

### BILLET REMOTE RESERVOIR



**Part # 450**

Billet Remote Reservoir. CNC machined from 6061-T6 aluminum, clear powder coated for a maintenance free finish, complete with mounting bracket.  
.....\$180.25

### FORD SMALL BLOCK WATER PUMP AND TIMING COVER



Short Reverse Rotation water pump and timing cover from 1994 - 95 Mustang Required on 30020 and 30030 Series Kits

**Part # P500** New Ford SVO  
.....\$215.00

## DELUXE FORD 5.0 - 351 SERPENTINE BRACKETS

Precision CNC machined from solid billet 6061-T6 aluminum to fit perfectly and handle high torque and vibration. This bracket kit comes complete with stainless steel tensioning rods and chrome moly rod ends for high performance operation. All necessary hardware included. Powdercoated to eliminate polishing in those hard to reach places. precision CNC machined from 6061-T6 aluminum.

### **Bracket Kits Only:**

**Part# 30025.....**Ford 302 Alternator Bracket with Tensioner.  
\$106.04

**Part# 30035.....**Ford 302 Power Steering Bracket.  
\$106.04

**Part# 30040.....**Ford 302 Idler Bracket with Idler.  
\$137.87

### **Bracket Kits Only:**

**Part# 30055.....**Ford 351 Alternator Bracket with Tensioner.  
\$106.03

**Part# 30035.....**Ford 351 Power Steering Bracket.  
\$106.03

**Part# 30040.....**Ford 351 Idler Bracket with Idler.  
\$137.87



## FORD 289-302 & 351 WINDSOR Matching Alternator and Power Steering Brackets

### **289-302 C.I. 1965-1969 Alternator Brackets**

**Part# 30351.....**Alternator Bracket: Billet aluminum, Clear powdercoated and stainless steel adjusting rod. Requires passenger side lower radiator hose. For photo see our web site at [www.marchperf.com](http://www.marchperf.com). ..... \$106.04

### **302 C.I. 1969½ and Later**

Requires drivers side lower radiator hose.

**Part# 30355.....**Alternator Bracket: Billet aluminum, Clear powdercoated and stainless steel adjusting rod. .... \$106.04

**Part# 30356.....**Power Steering Bracket with matching pulley: Billet aluminum, Clear powdercoated. .... \$186.30

### **289-302-351 Power Steering Brackets**

**Part# 30352.....**Power Steering Bracket: Billet aluminum, Clear powdercoated. Requires early Ford power steering pump. Matching P.S. pulley order part #504 ..... \$106.04

### **351 C.I. Windsor Alternator Brackets**

**Part# 30392.....**Alternator Bracket passenger side radiator hose: Billet aluminum, Clear powdercoated and stainless steel adjusting rod. .... \$111.04

**Part# 30395.....**Alternator Bracket drivers side radiator hose: Billet aluminum, Clear powdercoated and stainless steel adjusting rod. .... \$111.04

