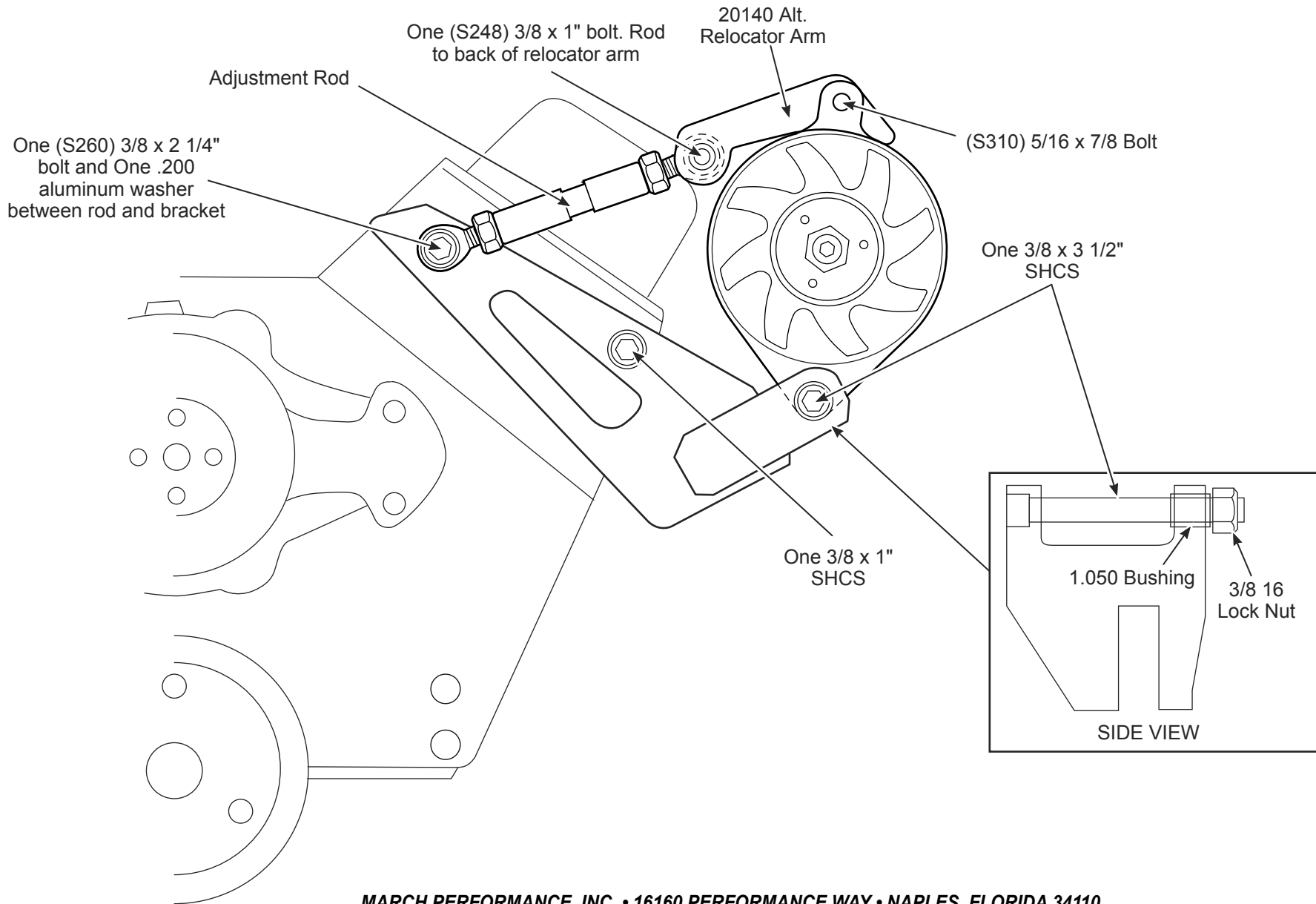




20130 Chevy Small Block Short Water Pump Alternator Bracket

Revised 6-25-07

NOTE: This Alternator bracket will interfere with power steering pumps in most V-belt applications



MARCH PERFORMANCE, INC. • 16160 PERFORMANCE WAY • NAPLES, FLORIDA 34110

Technical Support 888-729-9070